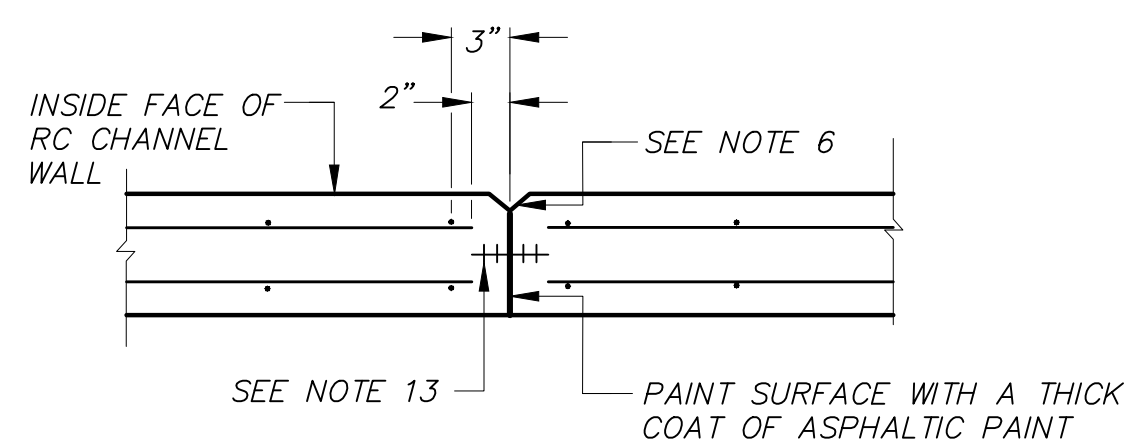
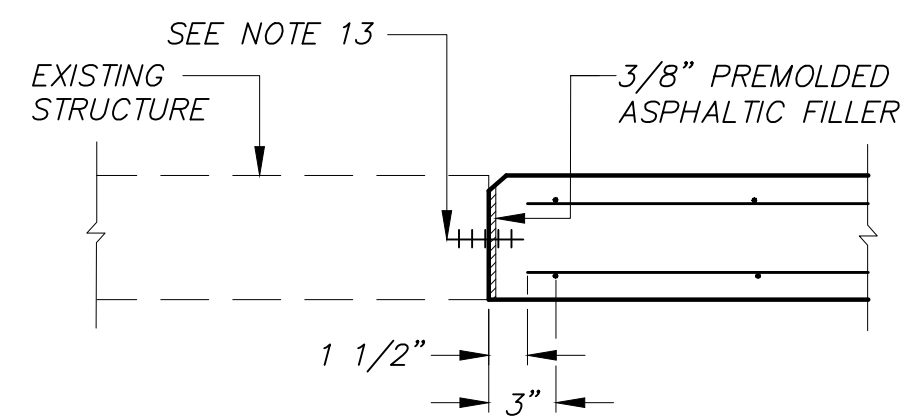


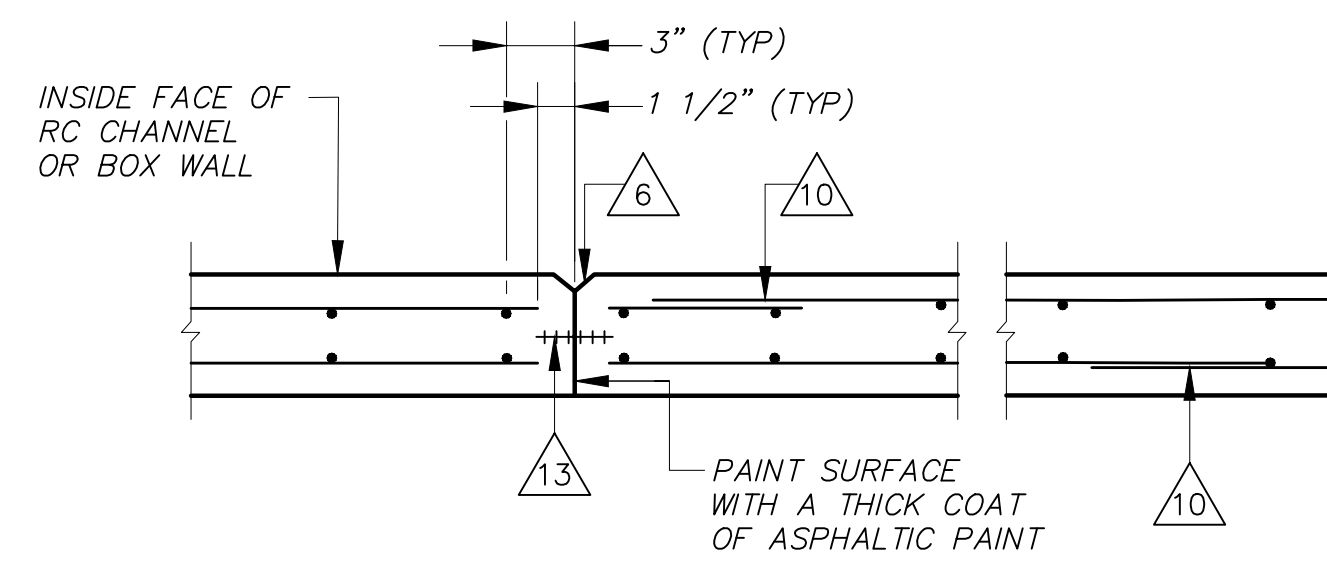
INVERT CONSTRUCTION JOINT



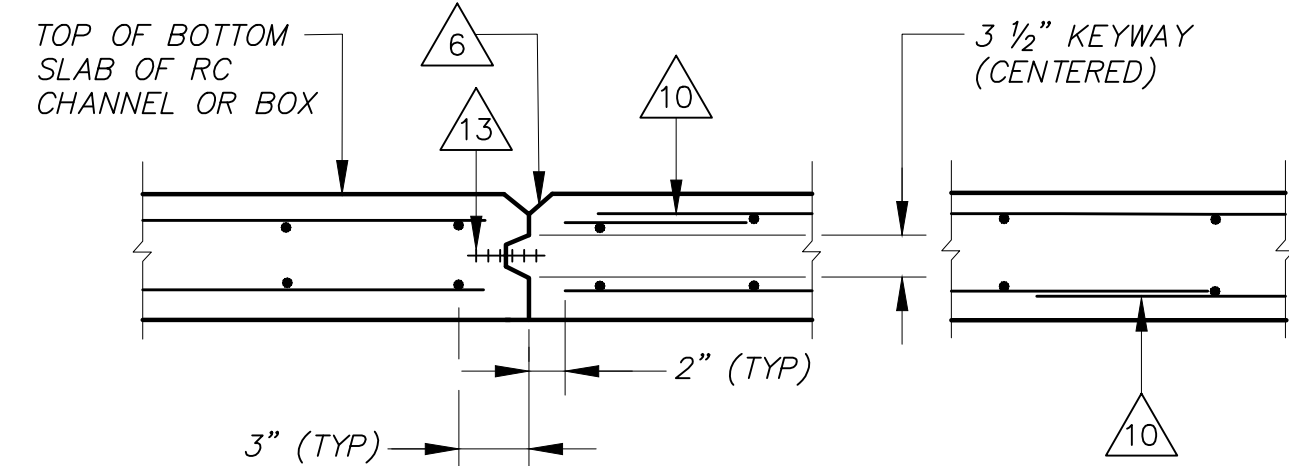
WALL CONSTRUCTION JOINT



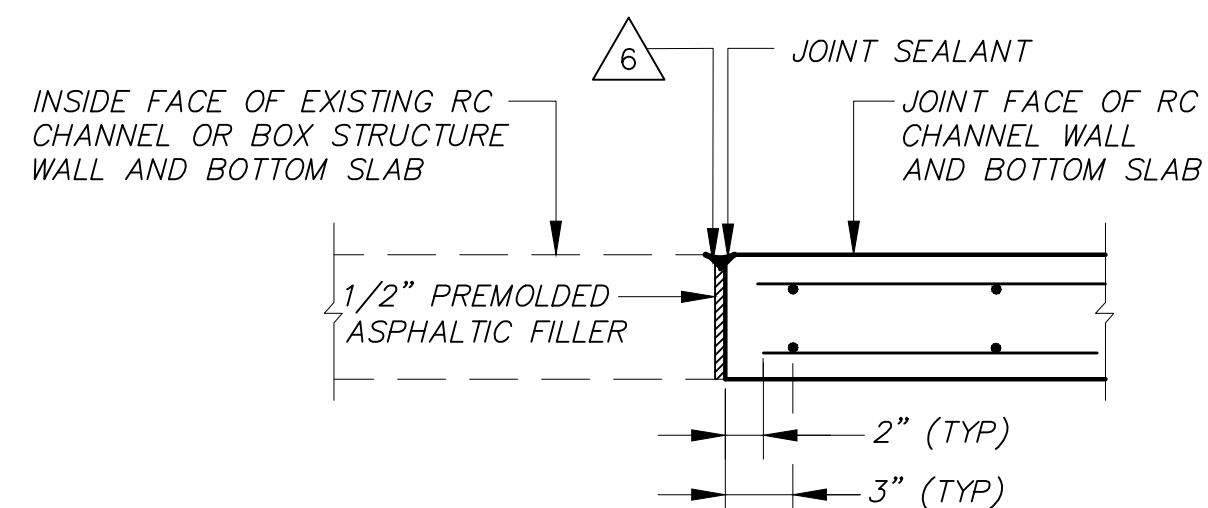
WALLS & SLABS JOINING EXISTING STRUCTURES TRANSVERSE JOINTS



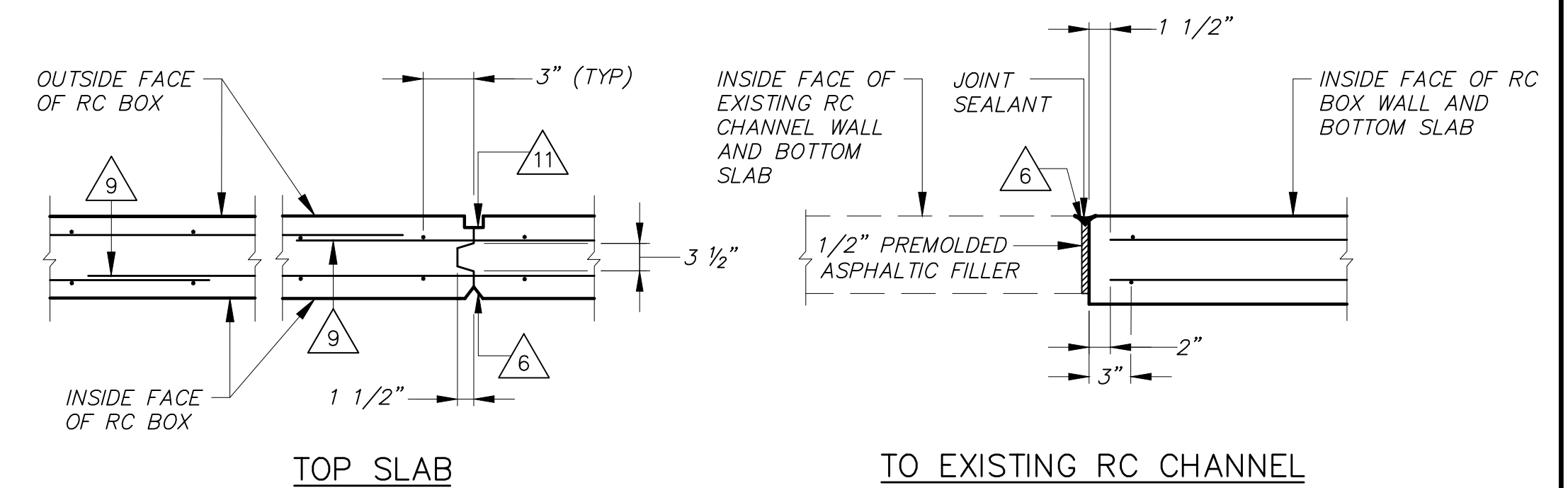
TO RC CHANNEL OR BOX WALL



TO RC CHANNEL OR BOX SLAB

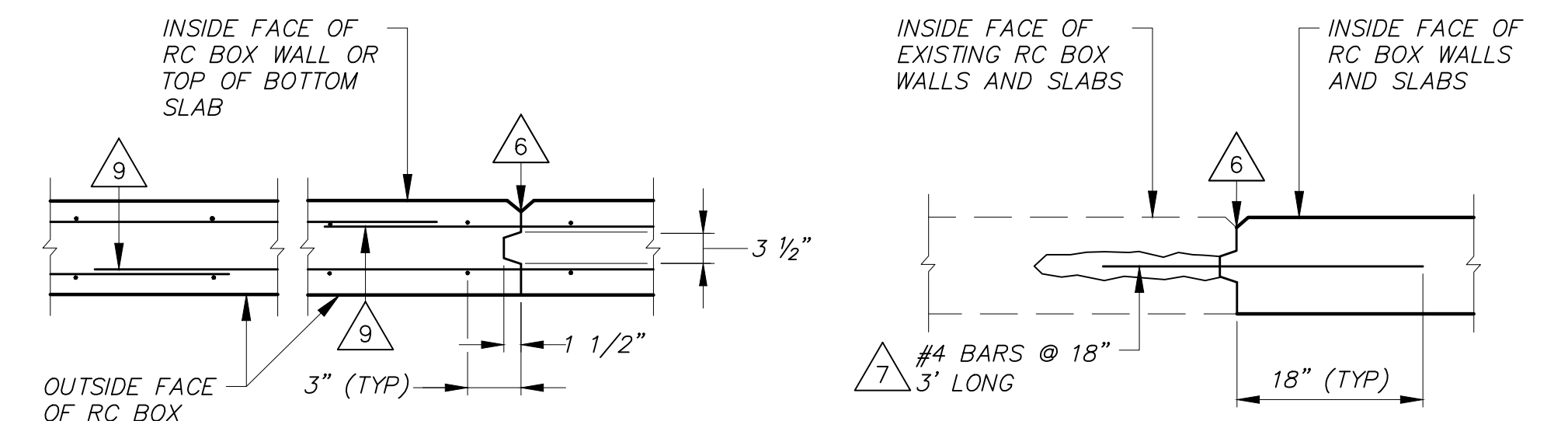


TO EXISTING RC STRUCTURE



TOP SLAB

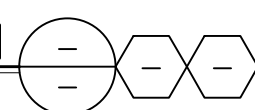
TO EXISTING RC CHANNEL



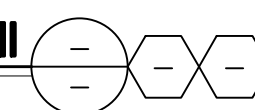
WALLS AND BOTTOM SLAB

TO EXISTING RC BOX

TRANSVERSE CONSTRUCTION JOINT DETAILS I



TRANSVERSE CONSTRUCTION JOINT DETAILS II



NOT TO SCALE

TRANSVERSE CONSTRUCTION JOINT DETAILS III

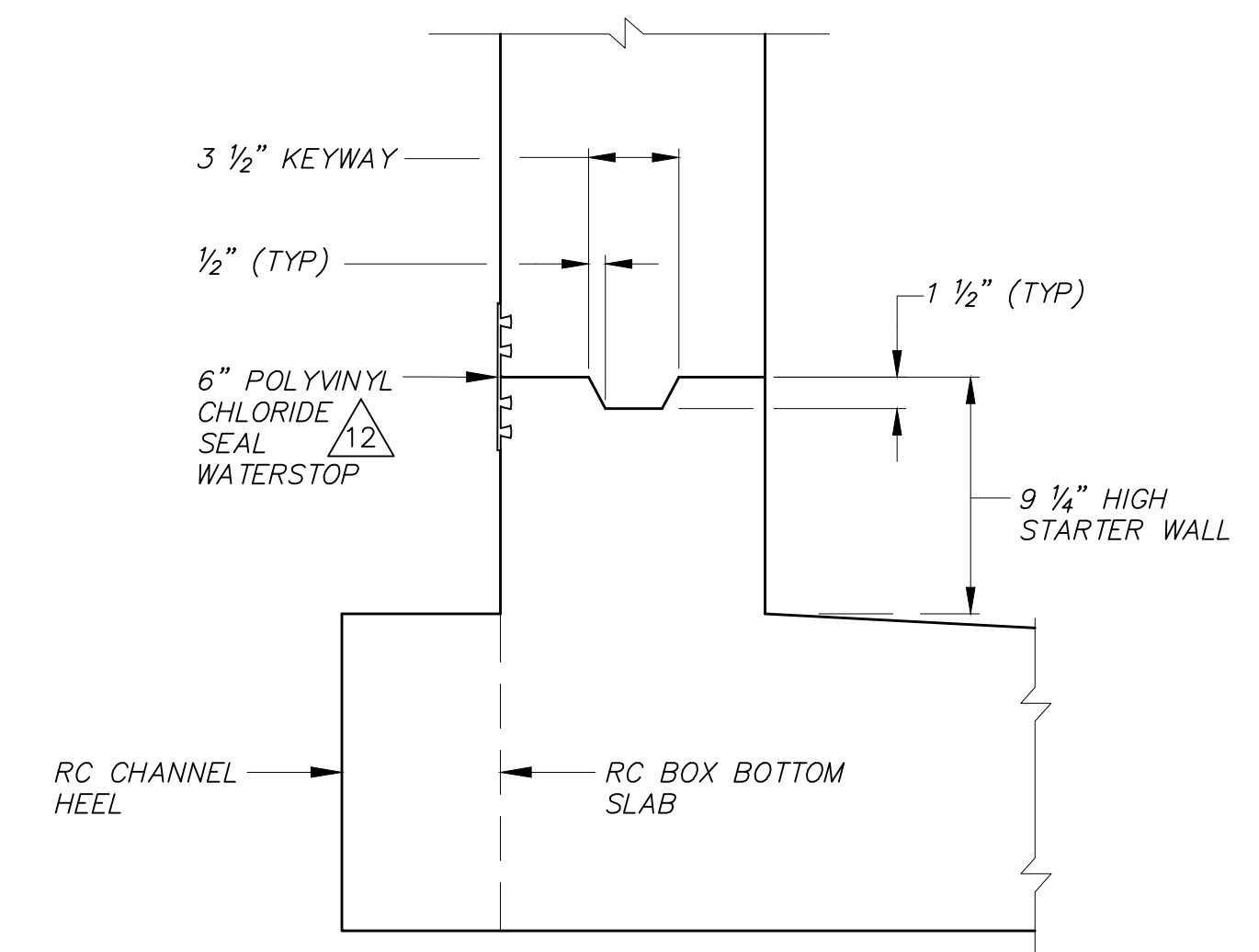


NOT TO SCALE

STRUCTURAL NOTES

- ALL BAR BENDS AND HOOKS SHALL CONFORM TO THE LATEST EDITION OF THE AMERICAN CONCRETE INSTITUTE'S "BUILDING CODE REQUIREMENTS FOR REINFORCED CONCRETE" (ACI 318).
- PLACING OF REINFORCEMENT SHALL CONFORM TO THE LATEST EDITION OF THE AMERICAN CONCRETE INSTITUTE'S "BUILDING CODE REQUIREMENTS FOR REINFORCED CONCRETE", (ACI 318).
- TRANSVERSE REINFORCING STEEL SHALL TERMINATE 3 INCHES FROM THE CONCRETE SURFACE.
- CONSTRUCTION JOINTS IN WALLS AND SLABS SHALL BE IN THE SAME PLANE. NO STAGGERING OF JOINTS WILL BE PERMITTED. TRANSVERSE CONSTRUCTION JOINTS SHALL BE NORMAL OR RADIAL TO THE CENTERLINE OF CONSTRUCTION UNLESS OTHERWISE SHOWN.
- TRANSVERSE CONSTRUCTION JOINTS SHALL NOT BE PLACED WITHIN 30 INCHES OF OPENINGS FOR MANHOLES, JUNCTION STRUCTURES, OR SIDE INLETS.
- PROVIDE A 1 1/2" WIDE BY THE 3/4" DEEP TRIANGULAR FORMED GROOVE IN THE INSIDE FACE OF THE WALLS, THE BOTTOM OF THE TOP SLAB AND THE TOP OF THE BOTTOM SLAB AT THE TRANSVERSE CONSTRUCTION JOINT.
- DRILL 1-INCH DIAMETER HOLE AND INJECT AN APPROVED NONE-SHRINK GROUT INTO THE HOLE PRIOR TO PLACEMENT OF THE BAR.
- ALL LAP SPLICES SHALL CONFORM TO THE LATEST EDITION OF THE AMERICAN CONCRETE INSTITUTE'S "BUILDING CODE (ACI 318) REQUIREMENTS FOR REINFORCED CONCRETE". LONGITUDINAL STEEL SHALL BE LAPPED 24 BAR DIAMETER AT SPLICES. TRANSVERSE STEEL SHALL BE LAPPED USING THE FOLLOWING TABLE:
- LONGITUDINAL STEEL SHALL BE CONTINUOUS AND EXTEND THROUGH ALL CONSTRUCTION JOINTS, UNLESS OTHERWISE SHOWN. (FOR RC BOX ONLY)
- TRANSVERSE CONSTRUCTION JOINT KEYWAYS (IN BOTH SLABS AND WALLS) SHALL BE PLACED AT THE END OF EACH POUR, BUT THE SPACING THEREOF SHALL NOT EXCEED 50 FEET NOR BE LESS THAN 10 FEET, MEASURED ALONG THE CENTERLINE OF CONSTRUCTION.
- TYPE 'E' JOINT SEALANT SHALL BE INSTALLED IN 1 1/2" WIDE BY 3/4" DEEP FORMED GROOVE IN THE TOP OF THE TOP SLAB. SAND BLAST THE SIDES OF THE GROOVE AND PROVIDE A NON-BONDING AGENT IN THE BOTTOM OF THE GROOVE BEFORE INSTALLATION OF THE JOINT SEALANT.
- THE LONGITUDINAL WALL JOINTS SHALL HAVE A 6" POLYVINYL CHLORIDE SEAL WATERSTOP (RIBBED TYPE). THE SEAL WATERSTOP SHALL BE MODEL NO. 776 GREENSTREAK FROM SIKA CORPORATION, OR AN APPROVED EQUAL. THE CENTER OF THE BASE SEAL WATERSTOP SHALL BE PLACED IN THE CENTER OF THE CONCRETE JOINT AS SHOWN HEREON. THE BASE SEAL SHALL HAVE A CONTINUOUS SUPPORT SYSTEM (FORMWORK) USED TO SUPPORT IT DURING THE INSTALLATION PROCESS TO PREVENT THE BASE SEAL FROM BECOMING DEFORMED. THE BASE SEAL SHALL BE PLACED AT THAT LOCATION AND SHALL BE SUFFICIENTLY HELD IN PLACE TO ENSURE THAT IT IS CORRECTLY POSITIONED TO FORM A CONTINUOUS WATERTIGHT DIAPHRAGM IN THE JOINTS. DOUBLE HEADED NAILS SHALL BE USED TO ATTACH THE BASE SEAL WATERSTOP TO FORMWORK.
- TRANSVERSE INVERT/WALL JOINTS SHALL HAVE A 4" POLYVINYL CHLORIDE WATERSTOP (SPLIT RIBBED CENTER BULB TYPE) WHICH SHALL BE VINLYEX PVC WATERSTOP, NO. RSB4316 (IN CONFORMANCE WITH THE US CORPS OF ENGINEERS CRD-C-572 AND THE BUREAU OF RECLAMATION), OR APPROVED EQUAL.

BAR SIZE	#4	#5	#6	#7	#8	#9	#10	#11	#14	#18
LENGTH OF LAP SPLICE	25"	31"	37"	62"	81"	103"	130"	160"	TENSION LAP SPLICING NOT PERMITTED	



STARTER WALL LONGITUDINAL JOINT

NOT TO SCALE

DATE: 9/15/21

SAVE DATE: 9/2/21 117246 K:\RESOURCES\STANDARDS_PROCEDURES\AUTOCAD\0_STANDARD_DRAWINGS\DRAWING_INDEX\2019_STANDARD_DETAILS_UPDATE\STRUCTURAL\DWG\CONSTRUCTION_JOIN_DETAILS.DWG

D				
C				
B				
A				
△	REVISION	DESCRIPTION	APP.	DATE

DESIGNED	WATERSHED MANAGER	DATE
DRAWN	WATERSHED DEPUTY DIRECTOR	DATE
CHECKED	WATERSHED DIRECTOR	DATE

VENTURA COUNTY PUBLIC WORKS AGENCY WATERSHED PROTECTION

SPEC. NO.	
PROJ. NO.	

PROJECT NAME
CONSTRUCTION JOINT DETAILS

SHEET	—
OF	—
DRAWING SET NO.	WPD-?-???